



It's all about the fish.®

Overflow **Aquariums**

For use on:

**MegaFlow and TwinFlow
Aquariums**

Installation Instruction Manual

Central Aquatics
5401 West Oakwood Park Drive
Franklin, WI 53132

MegaFlow and TwinFlow Overflow Aquariums

Overflow Accessory Kit Installation Instructions

IMPORTANT: Please read these instructions carefully and keep for future reference.

STEP 1:

Review the parts list to familiarize yourself with part names. Make sure all components listed in the parts list are present.

PARTS LIST:

| | | | |
|-------|-----------------------------------|-------|---------------------------|
| Qty 1 | 1" Bulkhead Assembly* | Qty 1 | 90° Elbow |
| Qty 1 | 3/4" Bulkhead Assembly* | Qty 1 | Strainer |
| Qty 1 | 3/4" Universal Bulkhead Assembly* | Qty 1 | Return Pipe |
| Qty 1 | Adjustable Drain Pipe | Qty 1 | 3/4" Elbow |
| Qty 1 | Drain Pipe Base | Qty 1 | Dual Nozzle |
| Qty 1 | Air Intake Elbow | Qty 1 | Universal Bulkhead Wrench |

- Pipe cutter may be needed to cut the return tube to the correct length

*Includes: Bulkhead, Washer and Nut

STEP 2:

Wet the BULKHEAD SEALS. Insert BULKHEADS with BULKHEAD SEALS into the pre-drilled holes from the inside of the aquarium, for each hole. The seals must be placed between the bottom of the bulkhead top and the inner bottom glass. To ensure a proper seal, the inner bottom surface must be cleaned of any debris.

STEP 3:

Fit BULKHEAD NUTS to BULKHEADS from the underside of the aquarium. Using the UNIVERSAL WRENCH, tighten nuts until properly secured. DO NOT over tighten. To reduce the risk of damaging the bulkhead assemblies or breaking the aquarium, the use of other tools is not recommended.

STEP 4:

Depending on the height of your aquarium, the RETURN PIPE may need to be sized. Cut the return pipe to the correct length. (See dimensions on following page.)

For 110X, 150 and 210 Aquarium:

Return pipe: 26-3/4" long (Supplied Size)

For 65, 90, 92 Corner, 95 Wave, 120, 155 Bow and 180 Aquariums:

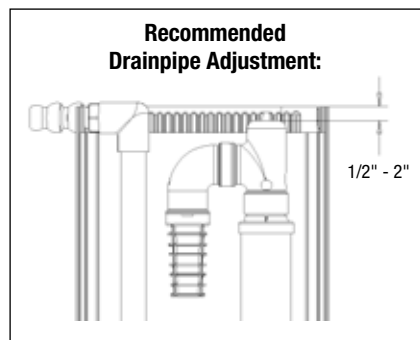
Return pipe: Cut to 22-3/4" long

For 54 Corner, 72 Bow and 125 Aquarium:

Return pipe: Cut to 20-3/4" long

For 55 and 75 Aquarium:

Return pipe: Cut to 18-3/4" long



STEP 5:

Screw the DUAL NOZZLE into the 3/4" ELBOW. Press fit the opposite side of the ELBOW to one end of the RETURN PIPE. Press fit the remaining end of the RETURN PIPE into the 3/4" BULKHEAD, already mounted in the aquarium. The 3/4" Bulkhead will then connect to 3/4" inner diameter flexible tube (not supplied).

Note: The small hole in the 3/4" ELBOW is an anti-siphon feature for power outage to the pump and must remain open.

STEP 6:

The drainpipe assembly is NOT to be permanently bonded together. This is for easy access and cleaning of the drainpipe components. Assemble the STRAINER, the 90° ELBOW and the AIR INTAKE ELBOW by snapping, as shown. The elbow assembly and the DRAIN PIPE BASE, then get press fit to the ADJUSTABLE DRAINPIPE. Depending on the height of your aquarium, the DRAIN PIPE may need to be adjusted (DO NOT cut to length). To adjust your drainpipe, simply submerge pipe assembly in water. Once the pipe assembly is wet, adjust to correct length. The entire drain assembly then gets press fit into the 1" BULKHEAD, already mounted in the aquarium. The 1" Bulkhead will then connect to 1-1/4" inner diameter flexible tube (not supplied).

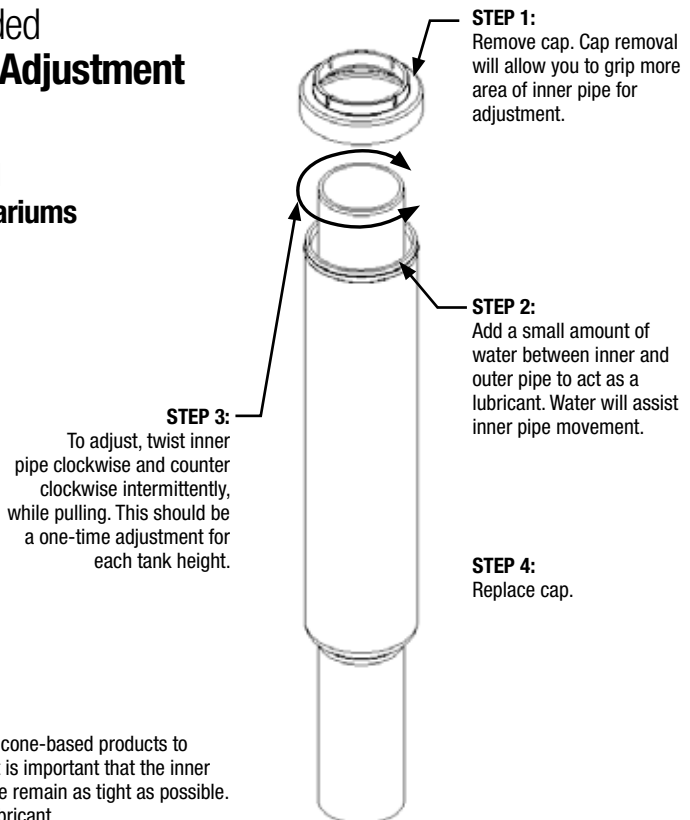
STEP 7:

The assembly and installation is now complete for the Aqueon® Overflow System.

Recommended Drain Pipe Adjustment

For use on:

**MegaFlow and
TwinFlow Aquariums**



NOTE: DO NOT add silicone-based products to assist in adjustment. It is important that the inner tube and the other tube remain as tight as possible. Use water only as a lubricant.



MegaFlow and TwinFlow Overflow Aquariums Overflow Accessory Kit Parts Diagram

