

AQUEON®

Arbor
cherry™

16 Bow Aquarium Stand

Assembly Manual

21.5" Wide, 13.5" Long, 28" High
Item #51008



Aqueon®

A product of Central Aquatics™
(Division of Central Garden & Pet Co.)

Franklin, WI 53132

888.255.4527

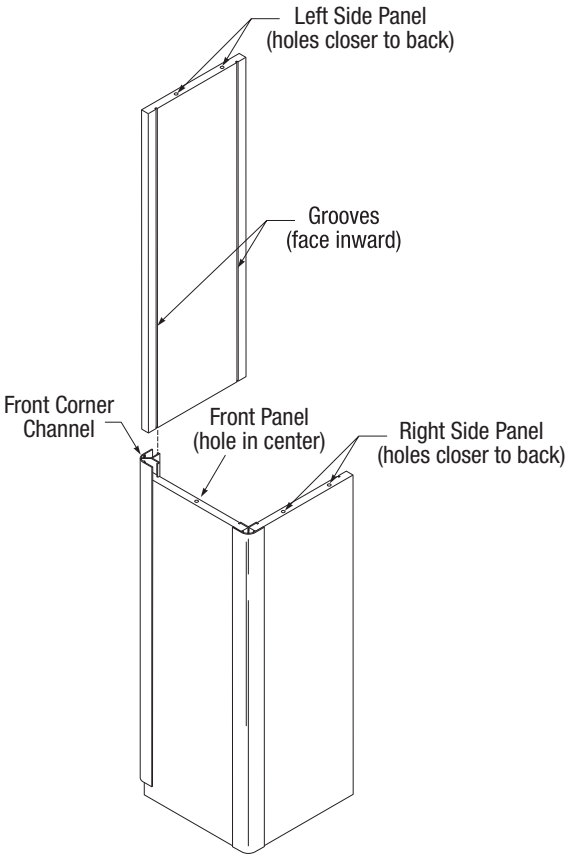
aqueonproducts.com

Aqueon® is a registered trademark
of Central Garden & Pet Co.

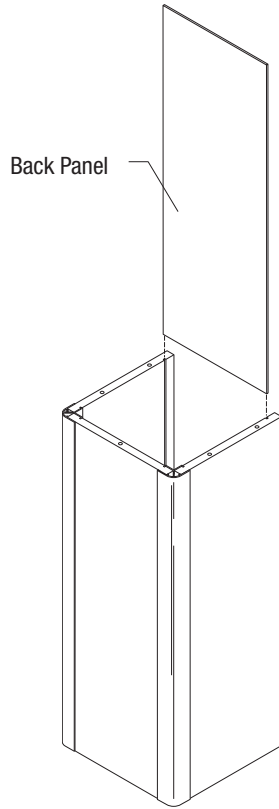
©2011 Central Garden & Pet Co.

Assembly Instructions: Before starting assembly, verify parts with parts list on back page.

Step 1



Step 2



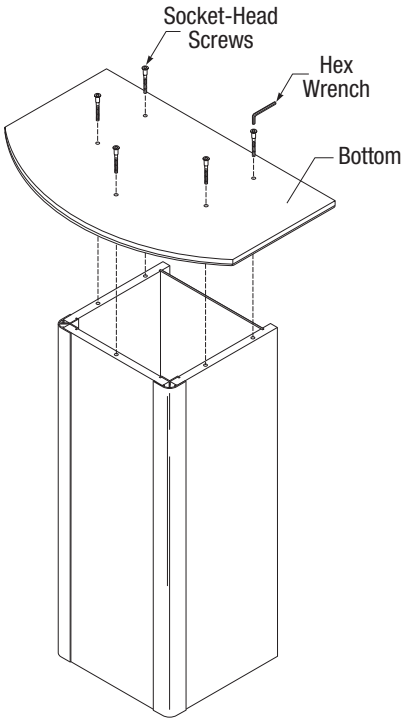
A. Begin assembly by making sure that the grooves on each of the panels face inward.

B. Slide the front panel into each of the front corner channels. NOTE that the front panel has one predrilled hole in the center.

C. Slide the left and right side panels into each of the corner channels. NOTE that the side panels have two predrilled holes in the top and bottom. These offset holes should be closer to the back of the stand.

A. Slide the back panel down into the grooves with the black finished surface facing outward.

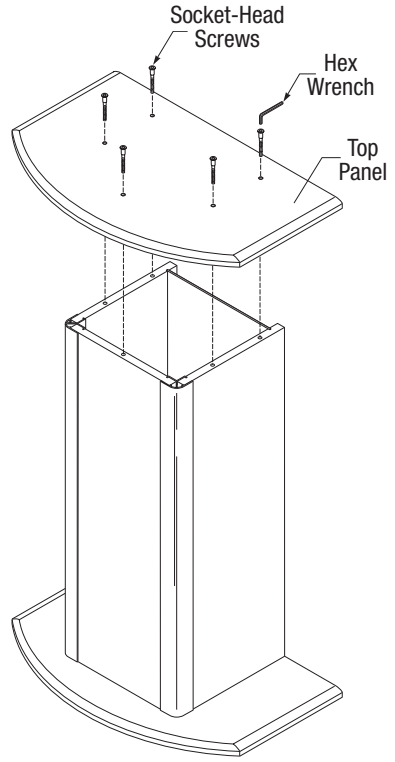
Step 3



A. Place the bottom on the stand with the bevel surface facing the stand. Align the holes in the bottom with the predrilled holes in the stand panels.

B. Attach the bottom with five (5) hex socket-head screws using the hex wrench provided. NOTE: do not overtighten.

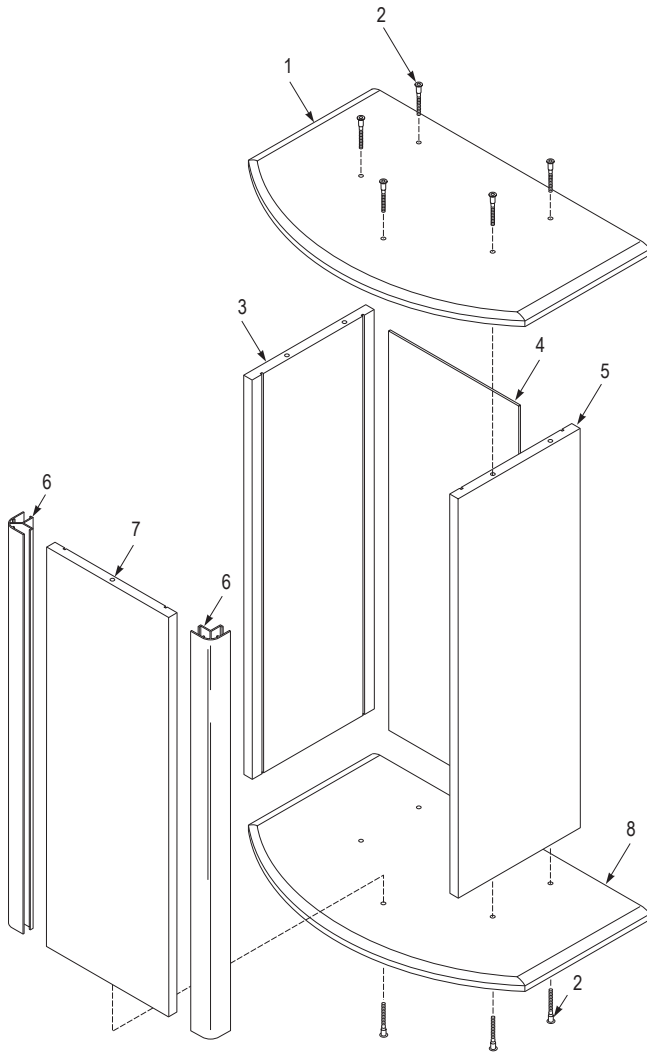
Step 4



A. Turn the assembly upright.

B. Position the top on the stand with the bevel surface facing up. Align the holes in the top with the predrilled holes in the stand.

C. Attach the top with five (5) hex socket-head screws using the hex wrench provided. NOTE: do not overtighten.



Parts List

<i>Description</i>	<i>Qty</i>	<i>Description</i>	<i>Qty</i>
1. Top	1	6. Front Corner Channels	2
2. Hex Socket-Head Screws	10	7. Front Panel	1
3. Left Side Panel	1	8. Bottom	1
4. Back Panel	1		
5. Right Side Panel	1		

For questions regarding this product or to request missing parts, please visit us online at: aqueonproducts.com or call 1-888-255-4527

R17649