



It's all about the fish.®

Modular **LED** Aquarium Light

Owner's Manual

15610, 15611, 15612, 15613, 15614



Central Aquatics
5401 West Oakwood Park Drive
Franklin, WI 53132

February '12

IMPORTANT SAFETY INSTRUCTIONS

The appliance is intended FOR HOUSEHOLD USE ONLY.

WARNING - To guard against injury, basic safety precautions should be observed including the following:

1. READ AND FOLLOW ALL SAFETY INSTRUCTIONS.

2. **DANGER** - To avoid possible electric shock, special care should be taken since water is employed in the use of aquarium equipment. For each of the following situations, do not attempt to repair yourself; return the appliance to an authorized service facility for service or discard the appliance.

A). If the appliance falls into the water, DO NOT reach for it! First unplug it and then retrieve it. If electrical components of the appliance get wet, unplug the appliance immediately.

B). Carefully examine the appliance after installation. It should not be plugged in if there is water on the parts not intended to be wet.

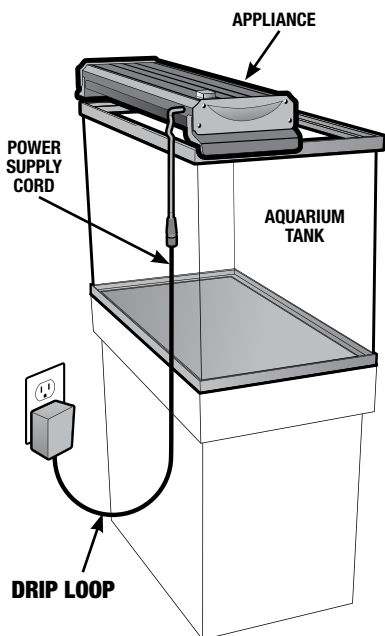
C). Do not operate any appliance if it has a damaged cord or plug, if it is malfunctioning or if it is dropped or damaged in any manner.

D). To avoid the possibility of the appliance plug getting wet, position aquarium stand and tank to one side of a wall mounted receptacle to prevent water from dripping onto the receptacle or plug. A "drip loop", shown in the figure below, should be arranged by the user for each cord connecting an aquarium appliance to the receptacle. The "drip loop" is the part of the cord below the level of the receptacle, or the connector if an extension cord is used, to prevent water traveling along the cord and coming in contact with the receptacle. If the plug or receptacle does get wet, DO NOT unplug the cord. Disconnect the fuse to the circuit breaker that supplies power to the appliance. Then unplug and examine for the presence of water in the receptacle.

3. Close supervision is necessary when any appliance is used by or near children.

4. To avoid injury, do not contact moving parts or hot parts such as heaters, reflectors, lamp bulbs, and the like.

5. Always unplug the appliance from the outlet when not in use, before putting on or taking off parts, and before cleaning. Never yank the cord to pull plug from outlet. Grasp the plug and pull to disconnect.



6. Do not use an appliance for other than intended use. The use of attachments not recommended or sold by the appliance manufacturer may cause an unsafe condition.
7. Do not install or store the appliance where it will be exposed to the weather or to temperatures below freezing.
8. Make sure an appliance mounted on a tank is securely installed before operating it.
9. Read and observe all the important notices on the appliance.
10. If an extension cord is necessary, a cord with a proper rating should be used. A cord rated for less amperes or watts than the appliance rating may overheat. Care should be taken to arrange the cord so that it will not be tripped over or pulled.
11. This appliance was designed for use over a glass aquarium cover or panel. **DO NOT USE OVER "OPEN" WATER.** Moisture from the aquarium will collect on exposed light parts and may cause a shock hazard and/or damage the light.
12. **DO NOT SUBMERSE.**
13. **CAUTION** - Any servicing should not be carried out while the luminaire and/or the surroundings are damp or wet unless the plug is disconnected from the power supply.

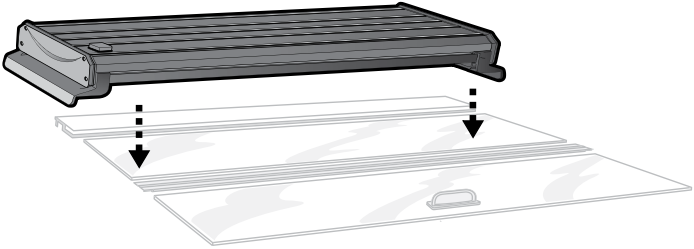
SAVE THESE INSTRUCTIONS.



Transformer

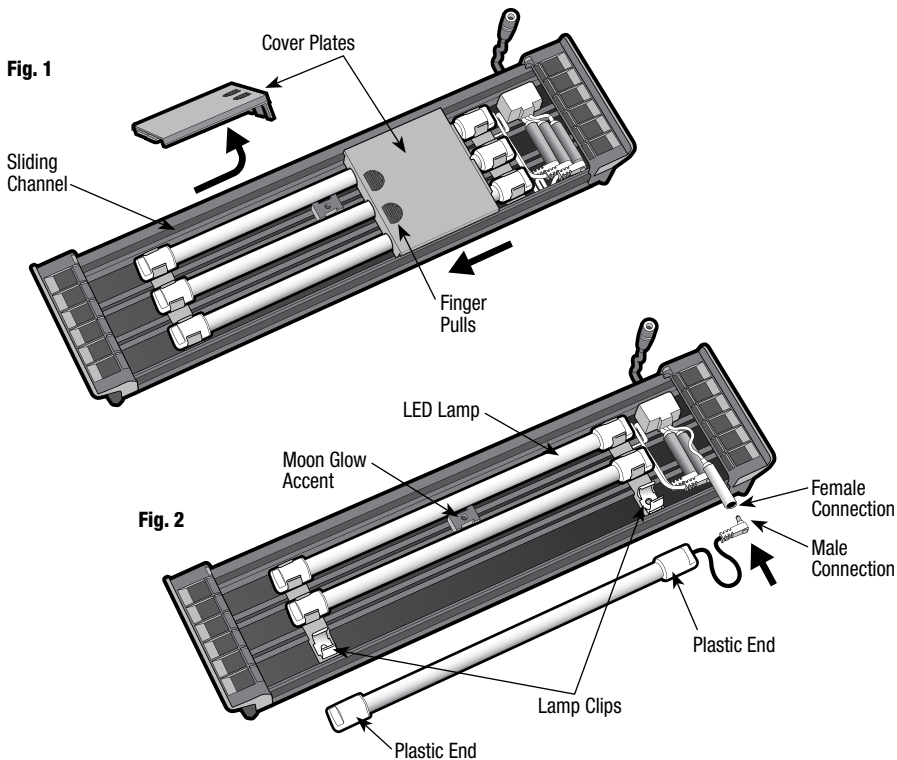
INSTALLATION INSTRUCTIONS

- **This product is intended for use over glass-covered aquariums only.**
 - **Aqueon glass covers fit on the inside lip of the aquarium to prevent seepage out of the aquarium.**
1. Position fixture over glass cover of aquarium so that lamp provides maximum exposure of light to all aquarium inhabitants.
 2. Connect the transformer to the connector on the back of the light fixture.
 3. Plug transformer into an acceptable outlet. Be sure to incorporate a “drip loop” to prevent water droplets from running down the cord and into the outlet should any water get onto the cord.



LED LAMP INSTALLATION INSTRUCTIONS

1. Turn the power switch to the off (0) position and unplug the transformer from outlet prior to installing or uninstalling an LED lamp. Flip the fixture over onto a clean/non abrasive surface so the underside is accessible.
2. Using the finger pulls, slide the cover plates towards the center of the fixture so they are clear of the LED lamp clips. (Fig. 1)
3. Remove both of the cover plates from the fixture by pulling upwards so that they unsnap from the sliding channels.
4. Installing/Uninstalling the LED Lamp:
 - a. To install an LED lamp, connect the male connection on the lamp to the female connection inside the fixture (on the power switch side). Press the male and female connectors together to make a complete connection inside the protective rubber sleeve. (Fig. 2)
 - b. Snap both plastic ends of the LED lamp into the lamp clips inside the fixture housing making sure it is completely installed and held securely by the clips. (Fig. 2)
 - c. To uninstall a lamp, unclip the plastic ends of the lamp from the lamp clips inside the fixture then disconnect the male/female connection for that lamp inside the fixture. The LED lamp can now be removed from the fixture. To re-install follow step 4a and 4b.
5. Once installation is complete, snap the cover plates back into the sliding channels and slide them back to their original position, covering the ends of the LED lamps.



MAINTENANCE AND SAFETY INSTRUCTIONS

1. Always turn off light fixture and unplug from outlet prior to performing any maintenance.
2. Water spray and water scale can create an electrical and fire safety hazard if allowed to collect on fixture. To prevent hazard, use over covered aquarium only and clean fixture regularly. Wipe exterior of fixture down with a clean, freshwater dampened towel. Then dry thoroughly with a second dry towel. Make sure all surfaces are dry before servicing.

AQUEON® LED AQUARIUM LAMP

Ask your retailer for
Aqueon® LED Aquarium Lamps

DAY WHITE: A bright white lamp for fresh or saltwater aquariums.

COLORMAX: A combination of white and red LEDs that create a warm glow to enhance the color and appearance of tropical fish.

Fixture Size	Aqueon® LED Aquarium Lamp
20"	Size 20
24"	Size 24
30"	Size 30
36"	Size 36
48"	Size 48

LIMITED WARRANTY *

Aqueon warrants that this product shall be free from defective electrical components due to defects in materials or workmanship for a period of twelve months from the date of purchase. If a defect is shown, Aqueon will, at Aqueon's sole discretion, either repair or replace the product without charge. No cash refunds will be made. This warranty is provided solely to the original consumer purchaser of the product and may not be transferred or assigned.

This warranty does not apply to damage resulting from accident, misuse, abuse, lack of reasonable care, failure to follow safety and installation instructions, use of the product with non-standard electrical service, or any other defect not resulting from defects in the electrical components of the product or defects in materials or workmanship. This warranty will not be effective unless and until the Aqueon product is shown to have been used in accordance with the safety and installation instructions accompanying the product, including the requirement that the product be used over a covered aquarium.

THIS CONSTITUTES AQUEON'S ENTIRE WARRANTY AND AQUEON MAKES NO OTHER WARRANTIES, WHETHER EXPRESS OR IMPLIED, WITH RESPECT TO THE PRODUCT. AQUEON SPECIFICALLY DISCLAIMS ANY AND ALL IMPLIED WARRANTIES, INCLUDING, WITHOUT LIMITATION, WARRANTIES OF MERCHANTABILITY AND FITNESS FOR A PARTICULAR PURPOSE. IF AQUEON CANNOT LAWFULLY DISCLAIM IMPLIED WARRANTIES UNDER THIS LIMITED WARRANTY, ALL SUCH WARRANTIES, INCLUDING WARRANTIES OF MERCHANTABILITY AND FITNESS FOR A PARTICULAR PURPOSE ARE LIMITED IN DURATION TO THE DURATION OF THIS WARRANTY.

AQUEON IS NOT RESPONSIBLE FOR DIRECT, SPECIAL, INCIDENTAL OR CONSEQUENTIAL DAMAGES RESULTING FROM ANY BREACH OF WARRANTY OR CONDITION, OR UNDER ANY OTHER LEGAL THEORY. AQUEON EXPRESSLY DISCLAIMS ALL ALLEGED DAMAGES FOR LOSS OF AQUATIC LIFE, PERSONAL INJURY, AND/OR PROPERTY DAMAGE. Some states and provinces do not allow the exclusion or limitation of incidental or consequential damages or exclusions or limitations on the duration of implied warranties or conditions, so the above limitations or exclusions may not apply to you. This warranty gives you specific legal rights, and you may also have other rights that vary by state or province.

Aqueon shall not have any obligations under this warranty unless the owner notifies Aqueon in writing of any alleged defect(s) within 30 days of discovery of the defect(s). Any notice to Aqueon must be delivered by United States or electronic mail to one of the following addresses:

U.S. Mail:

Central Aquatics - Aqueon
5401 West Oakwood Park Drive
Franklin, Wisconsin 53132

Electronic Mail:

info@Central-Aquatics.com

Aqueon shall be allowed a reasonable period of time to investigate any warranty claim and to perform any testing Aqueon deems necessary to determine the cause of the defect. This warranty shall be interpreted under the laws of the state of Wisconsin.

For additional information regarding this limited warranty, please contact us at the addresses above, or call us at 888-255-4527.

**Lamps are not included in this warranty.*