

AQUEON®

trends

aquarium stands

Assembly Instructions

24" x 12" and 30" x 12"

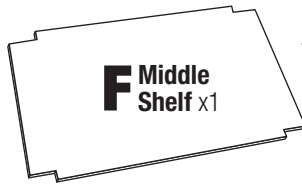
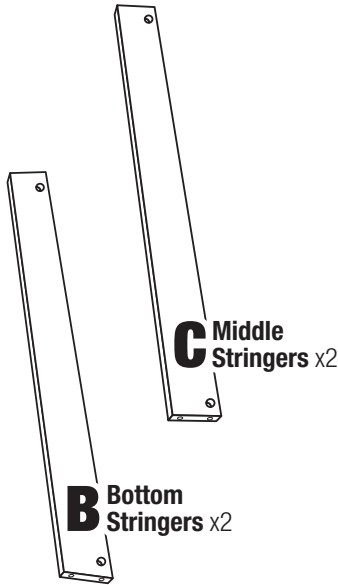
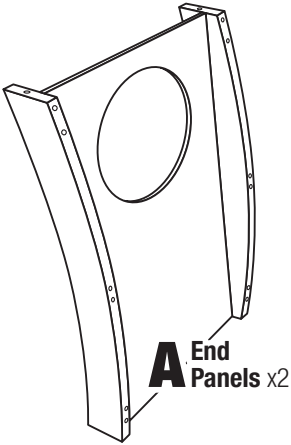
Items: 36640 and 36641



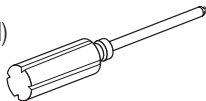
Video assembly instructions available at:
aqueonproducts.com



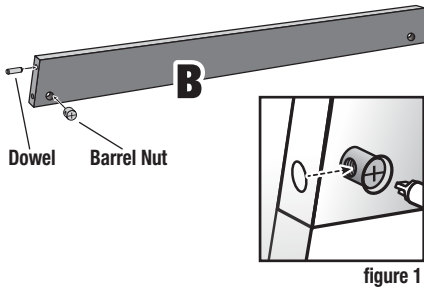
Parts List



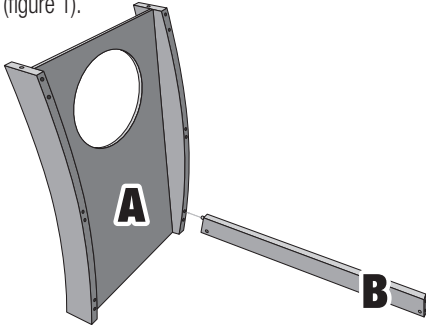
Tools Required (not included)
**Cross-Head
or Phillips Screwdriver**



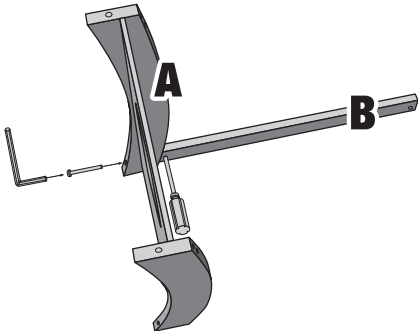
- 1.** Install one Dowel into upper end hole and one Barrel Nut into bottom side hole of one Bottom Stringer Rear (Part B). Align Barrel Nut so hole in nut is aligned with hole in end of Stringer (figure 1).
Use Cross-Head screwdriver to rotate and realign Barrel Nut if necessary.



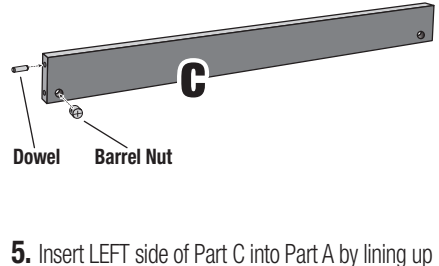
- 2.** Insert LEFT side of Part B into LEFT side of End Panel (Part A) by lining up Dowel with hole. Barrel Nut head on Part B should face in towards inside of stand (figure 1).



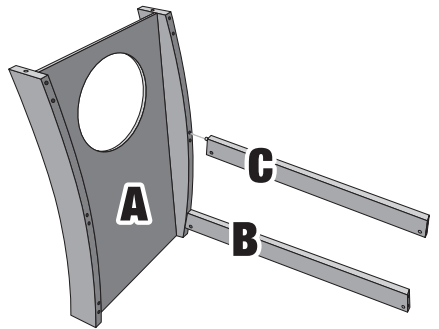
- 3.** Insert a 3-1/4" Bolt into Part A and attach to Part B. Tighten Bolt using Hex L-Wrench while keeping Barrel Nut aligned as shown (figure 1).



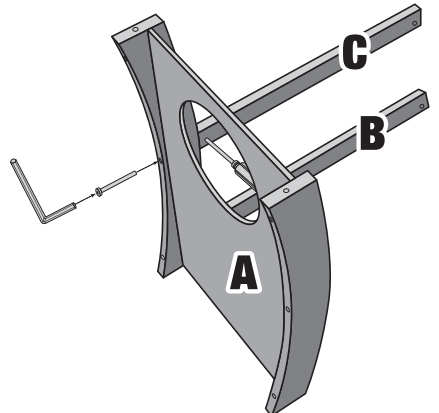
- 4.** Install one Dowel into upper end hole and one Barrel Nut into bottom side hole of one Middle Stringer Rear (Part C). Align Barrel Nut so hole in nut is aligned with hole in end of Stringer (figure 1).
Use Cross-Head screwdriver to rotate and realign Barrel Nut if necessary.



- 5.** Insert LEFT side of Part C into Part A by lining up Dowel into hole. Barrel Nut head on Part C should face in towards inside of stand (figure 1).

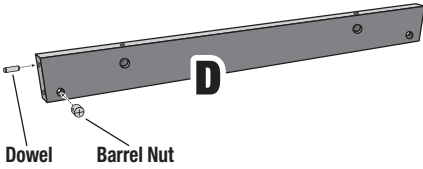


- 6.** Insert 3-1/4" Bolt into Part A and attach to Part C. Tighten with Hex L-Wrench while keeping Barrel Nut aligned as shown (figure 1).

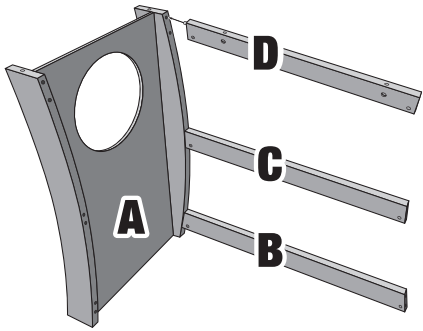


7. Install one Dowel into upper end hole and one Barrel Nut into bottom side hole of one Top Stringer Rear (Part D). Align Barrel Nut so hole in nut is aligned with hole in end of Stringer (figure 1).

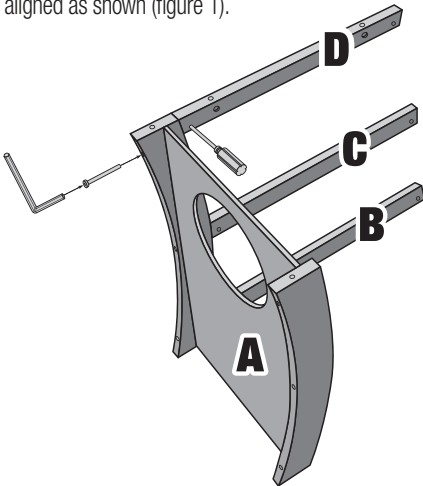
Use Cross-Head screwdriver to rotate and realign Barrel Nut if necessary.



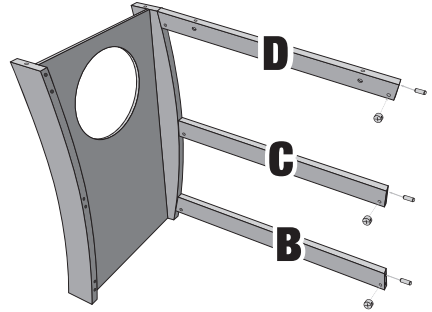
8. Insert LEFT side of Part D into Part A by lining up dowel into hole. Barrel Nut Head on Part D should face in towards inside of stand (figure 1).



9. Insert 3-1/4" Bolt into Part A and attach to Part D. Tighten with Hex L-Wrench while keeping Barrel Nut aligned as shown (figure 1).

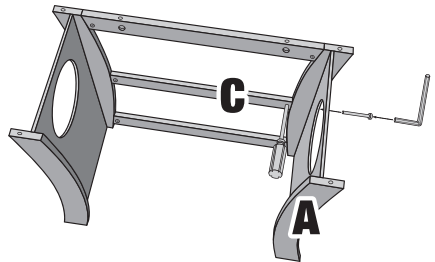


10. Install three Dowels into upper end holes and three Barrel Nuts into bottom side holes on each of Part B, Part C and Part D on the right side. Align RIGHT End Panel (Part A) with three Stringers.

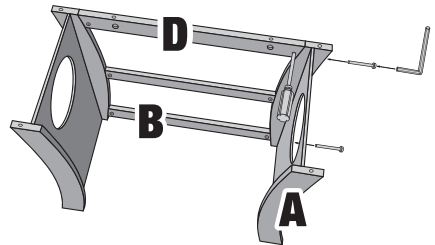


11. Insert 3-1/4" Bolt into Part A and attach to Part C. Tighten with Hex L-Wrench while keeping Barrel Nut aligned (figure 1).

Be sure to tighten Part C to Part A FIRST.

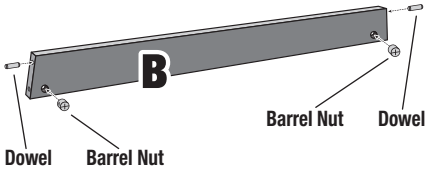


12. Insert 3-1/4" Bolts into Part A to tighten and secure parts B and D. Tighten with Hex L-Wrench while keeping Barrel Nut aligned (figure 1).



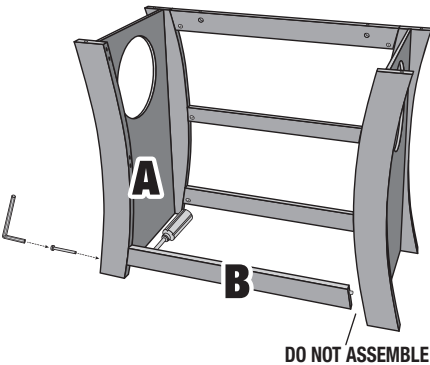
13. In SECOND Bottom Stringer Front (Part B), insert two Dowels into upper end holes and two Barrel Nuts into bottom side holes on right and left sides. Align Barrel Nut so hole in nut is aligned with hole in end of Stringer (figure 1).

Use Cross-Head screwdriver to rotate and realign Barrel Nut if necessary.



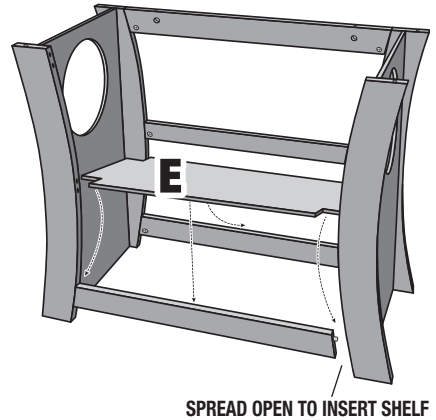
14. Insert 3-1/4" Bolt - starting from LEFT side of Part A - and attach Part B. Tighten LEFT side with Hex L-Wrench while keeping Barrel Nut aligned (figure 1).

Do NOT assemble right side of Part B to Part A.



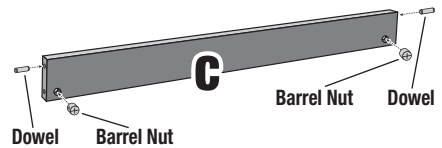
15. Insert Bottom Shelf (Part E) by first angling far back end of shelf downward. Guide front of shelf into place and adjust to align with corners of stand.

It will be necessary to spread right End Panel apart to insert shelf. Realign End Panel with Bottom Stringer after inserting shelf.

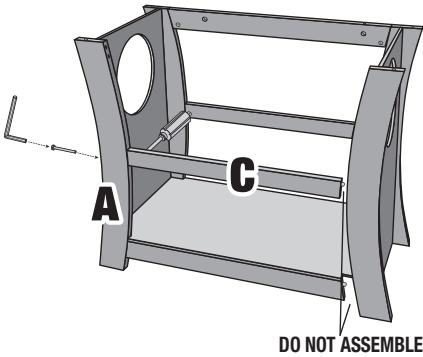


16. Insert two Dowels into upper end holes and two Barrel Nuts into bottom side holes on each side of SECOND Middle Stringer Front (Part C). Align Barrel Nut so hole in nut is aligned with hole in end of Stringer (figure 1).

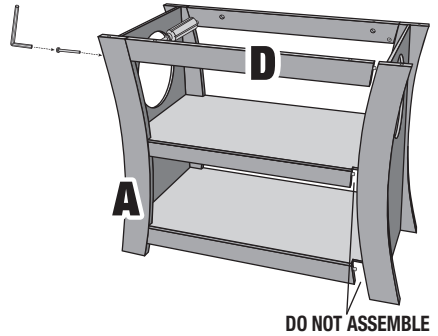
Use Cross-Head screwdriver to rotate and realign Barrel Nut if necessary.



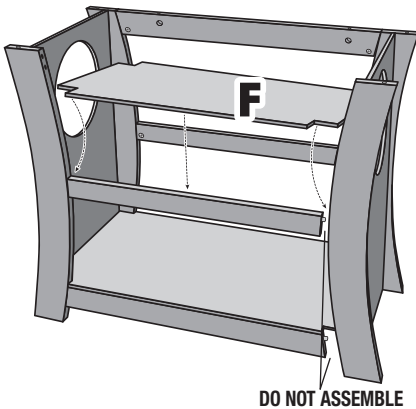
17. Insert 3-1/4" Bolt into Part A and tighten to Part C. Tighten bolt with Hex L-Wrench while keeping Barrel Nut aligned (figure 1).



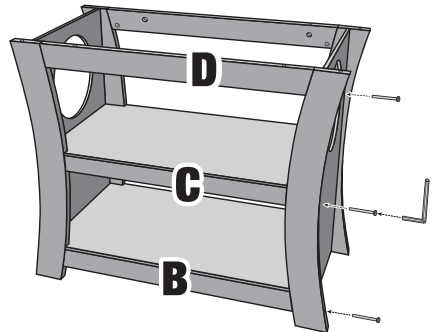
20. Insert 3-1/4" Bolt into Part A and tighten to Part D. Tighten bolt with Hex L-Wrench while keeping Barrel Nut aligned (figure 1).



18. Insert Middle Shelf (Part F) by first angling far back end of shelf downward. Guide front of shelf into place.

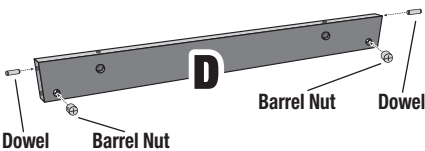


21. Insert and tighten all 3-1/4" Bolts on right side - Parts B, C and D - while keeping Barrel Nut aligned (figure 1).

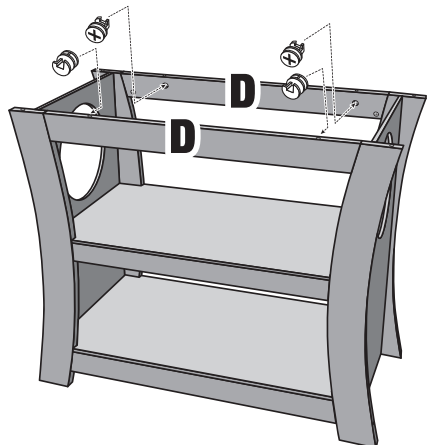


19. Insert two Dowels into upper end holes and two Barrel Nuts into bottom side holes on each side of SECOND Top Stringer Front (Part D). Align Barrel Nut so hole in nut is aligned with hole in end of Stringer (figure 1).

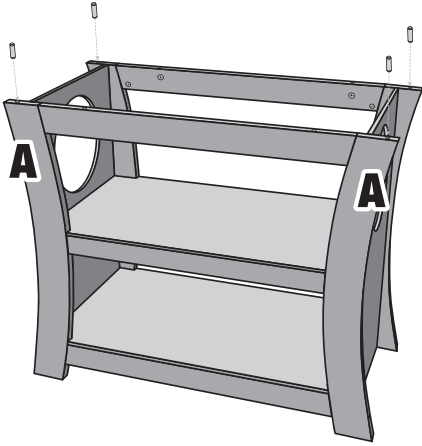
Use Cross-Head screwdriver to rotate and realign Barrel Nut if necessary.



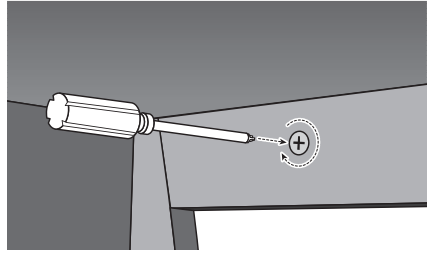
22. Install four Cam Locks, two into each Part D, while keeping Cam Lock aligned.



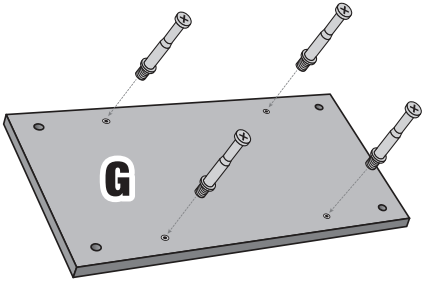
23. Install four Dowels into each top corner of Part A.



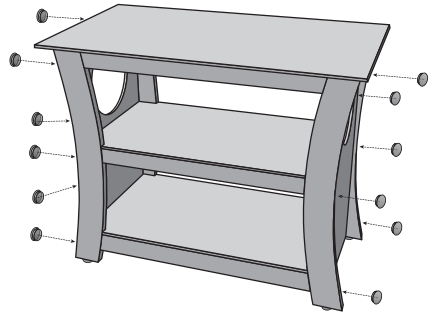
26. Tighten all Cam Locks by turning clockwise until fully tightened.



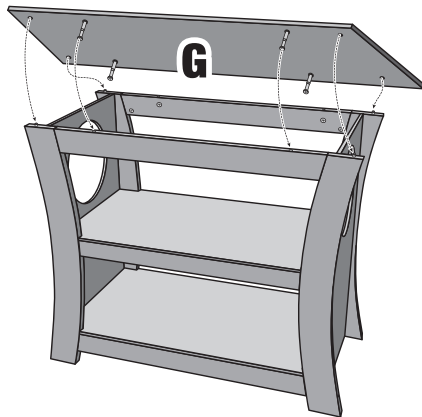
24. Screw one Cam Screw into each of four holes with plastic threaded insert on Top Shelf (Part G).



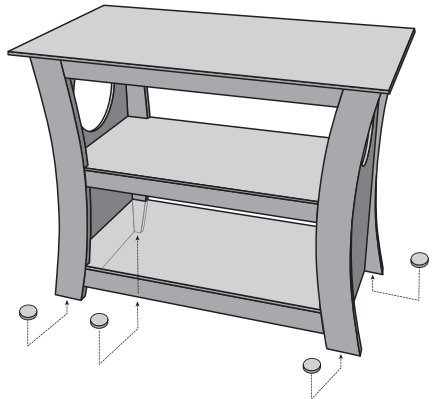
27. Insert one Hole Cover into each of twelve holes on both End Panels to cover bolts.



25. Place Part G into stand base while lining up Dowels and Cam Screws with holes.



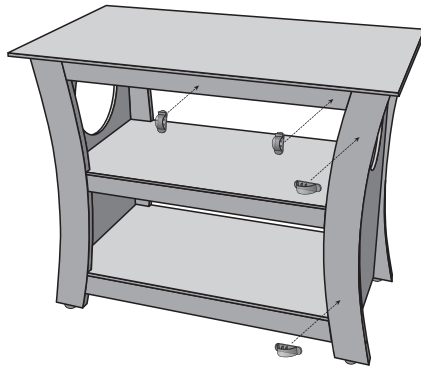
28. Install one Felt Protector on each of four corner feet on End Panels.



29. Place aquarium stand on smooth, level floor that is capable of supporting the weight of a filled aquarium (approximately 10 lbs/gallon of water).

30. After aquarium has been placed on the stand, add all powered aquarium maintenance equipment has been added, locate the best positions for Cord Routes by channeling dangling cords down the back of stand, out of view. When Cord Route locations are confirmed, peel back paper to expose sticky surface and attach to stand.

It will be difficult to remove and reattach Cord Routes once attached. Ensure locations are permanent before attaching to stand.



A product of Central Aquatics
(Division of Central Garden & Pet Company)
Franklin, WI 53132

888.255.4527 aqueonproducts.com

Aqueon, Aqueon with design and It's all about the fish
are trademarks of Central Garden & Pet Company.

©2015 Central Garden & Pet Company.

Made in China