



FORGE

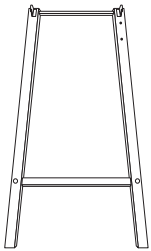
aquarium stands



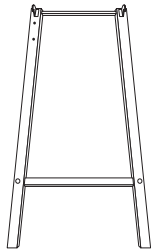
Assembly Instructions

Items: 36620, 36621, 36622, 36623, 36624

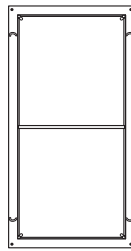
Parts List



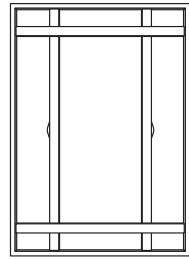
Right Legs with top Leg Mounts



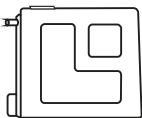
Left Legs with top Leg Mounts



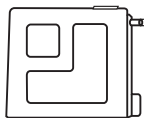
Top Frame with Mounting Loops



Bottom Frame



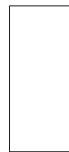
Right Metal Corner



Left Metal Corner



Screw x6



Bottom Panel

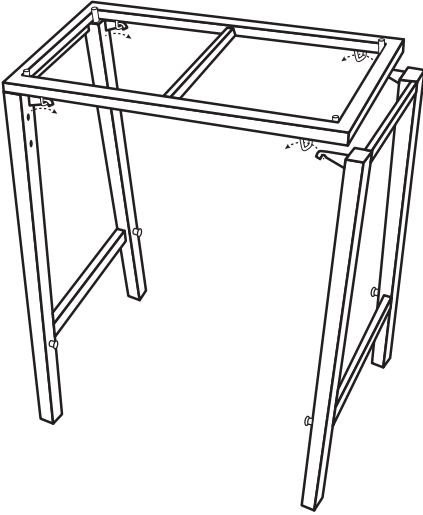


Top Hinged Panel

NOTE: Remove protective rubber bumpers before assembly

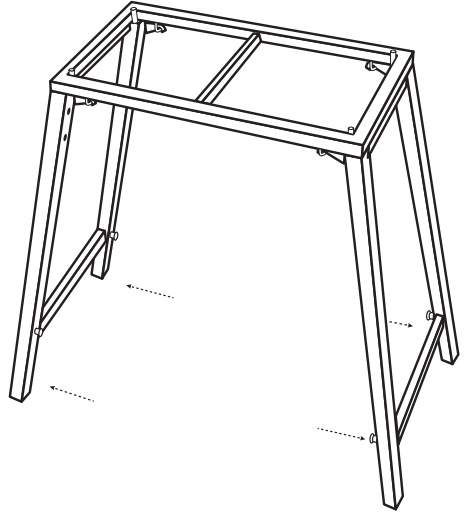
Step 1

Insert leg mounts of left and right legs into mounting loops of top frame.



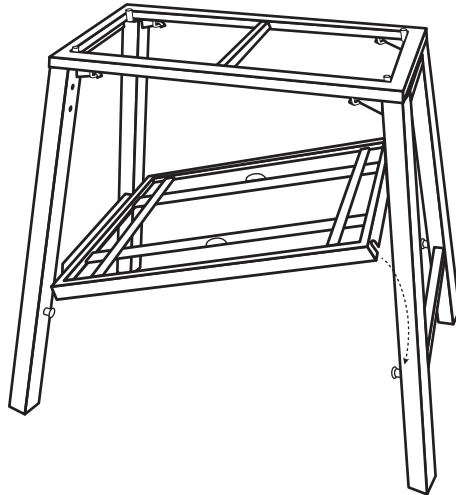
Step 2

Spread legs all the way apart.



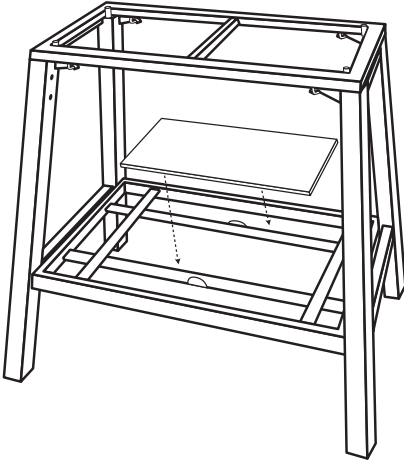
Step 3

Drop bottom frame into place by inserting notches in bottom frame onto pegs near bottom of legs.



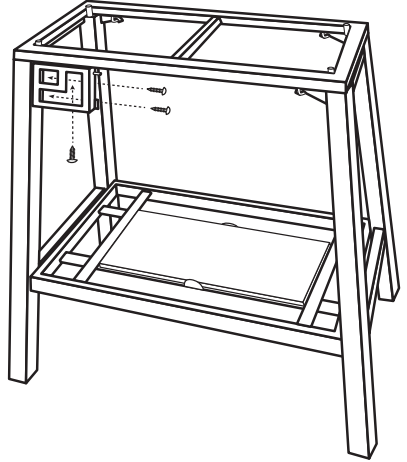
Step 4

Select black or wood coloring on bottom panel, then insert into bottom frame.



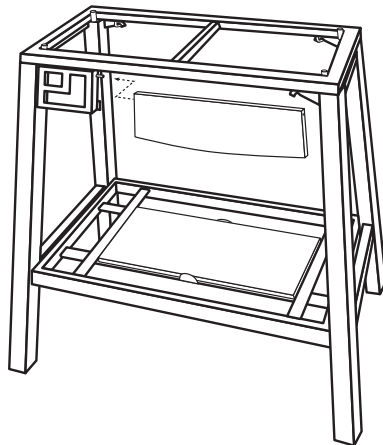
Step 5

Attach left metal corner to left legs using two screws, and use one screw to secure to top frame.



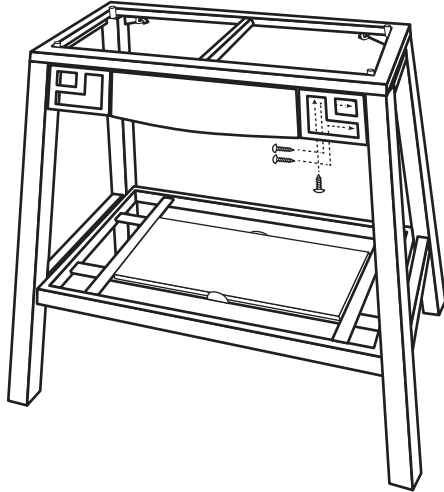
Step 6

Select black or wood coloring on top hinged panel. Insert panel onto hinge pin on left metal corner making sure panel is in front of lower tab on left metal corner.



Step 7

Insert hinge pin on right metal corner into top hinged panel. Then attach right metal corner to right legs using two screws and to top frame using one screw.



A product of Central Aquatics
(Division of Central Garden & Pet Company)
Franklin, WI 53132
888.255.4527 aqueonproducts.com

Aqueon, Aqueon with design and It's all about the fish
are trademarks of Central Garden & Pet Company.

©2014 Central Garden & Pet Company.

Made in China