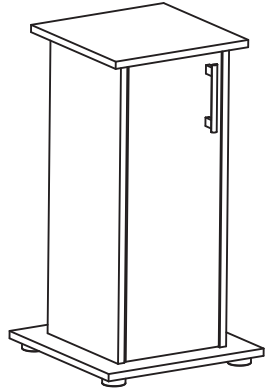


AQUEON®

Pedestal

Aquarium Stand with 13.5" Top



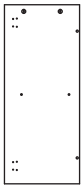
Assembly Instructions

Item 36603

15 3/4" Wide, 15 3/4" Deep, 28 3/4" High

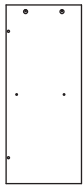
Parts List

Phillips and flathead screwdrivers are required for assembly (not included).



LEFT PANEL

(A)



RIGHT PANEL

(B)



DOOR

(C)



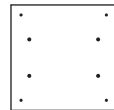
BACK PANEL

(D)



TOP PANEL

(E)



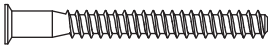
BOTTOM PANEL

(F)



SHELF

(G)



FLAT HEAD SOCKET
CAP SCREW (X4)

(H)



FLAT HEAD
SCREW (X12)

(I)



MACHINE
SCREW (X2)

(J)



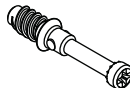
HIDDEN
CAM (X4)

(K)



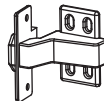
SHELF
PEG (X4)

(L)



CAM
SCREW (X4)

(M)



HINGE (X2)

(N)



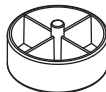
WOOD
DOWEL (X4)

(O)



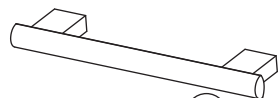
ALLEN WRENCH

(P)



FOOT (X4)

(Q)

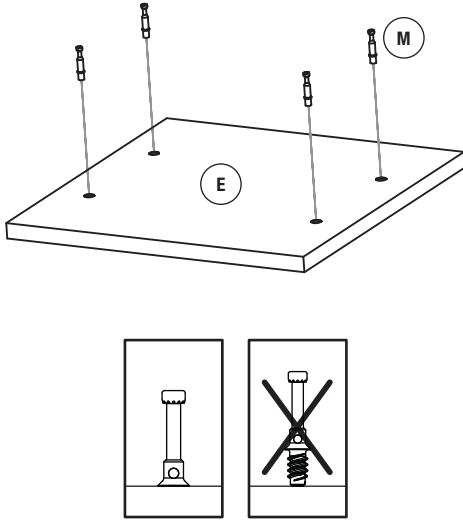


HANDLE

(R)

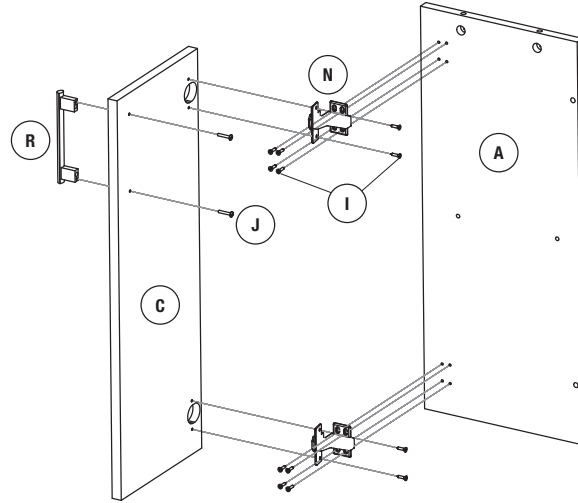
STEP 1

Using a Phillips screwdriver, turn four CAM SCREWS (Item M) into the TOP PANEL (Item E).



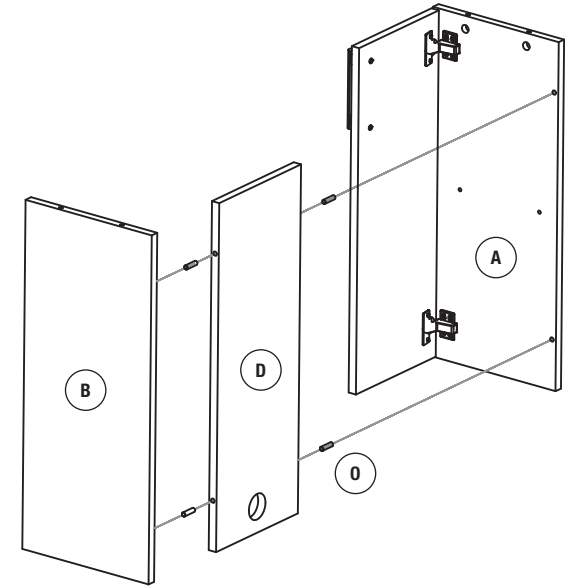
STEP 2

Fasten two HINGES (Item N) to DOOR (Item C) and LEFT PANEL (Item A). Use twelve FLAT HEAD SCREWS (Item I). Hinges may be loosened and readjusted as needed. Fasten HANDLE (Item R) to DOOR (Item C) using two MACHINE SCREWS (Item J).



STEP 3

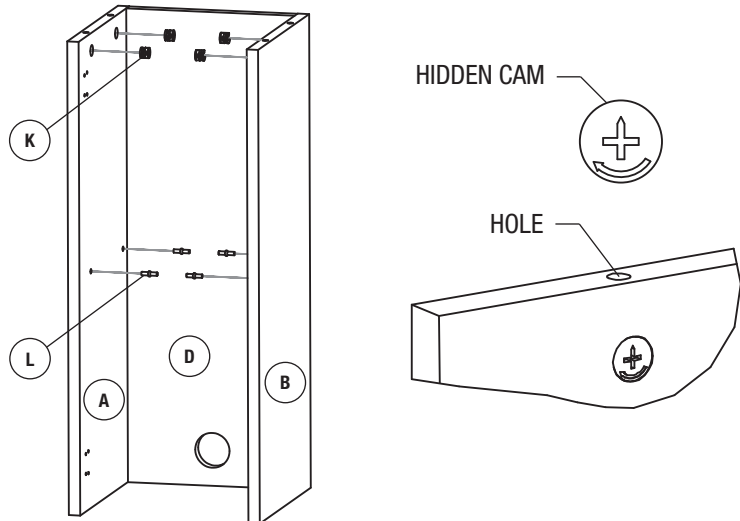
Insert four WOOD DOWELS (Item O) into BACK PANEL (Item D). Fasten LEFT PANEL (Item A) and RIGHT PANEL (Item B) to BACK PANEL (Item D) with WOOD DOWELS (Item O).



STEP 4

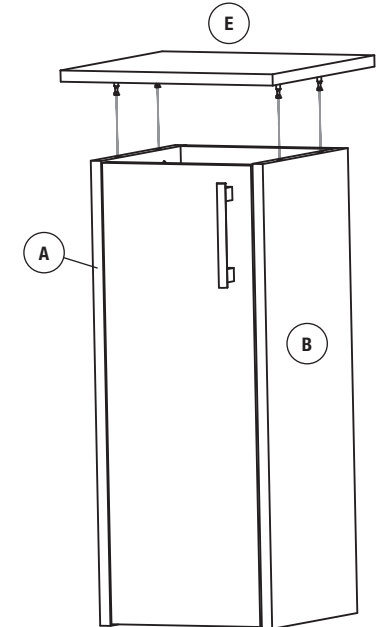
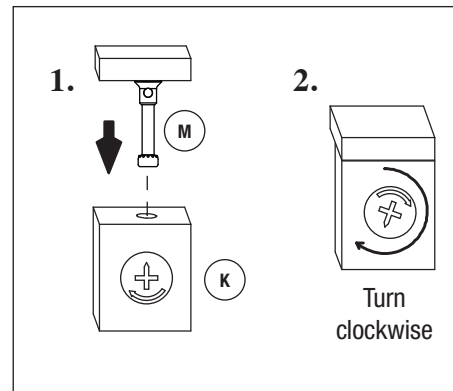
Push four HIDDEN CAMS (Item K) into the center holes of LEFT and RIGHT PANELS (Items A and B) with the arrows pointed in the direction pictured below. Push four SHELF PEGS (Item L) into the center holes of LEFT and RIGHT PANELS (Items A and B).

(DOOR and HINGES have been removed from image for clarity.)



STEP 5

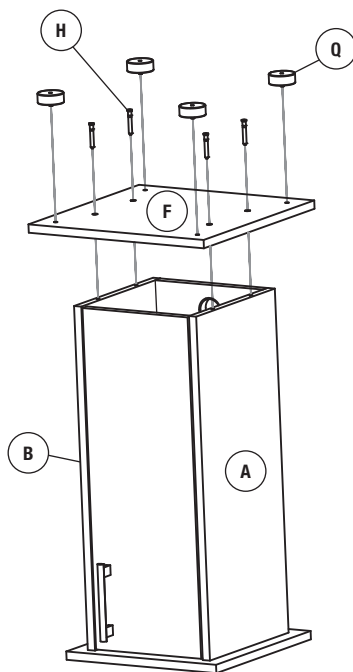
Place TOP PANEL CAM SCREWS (Items E and M) into the holes of both PANELS (Items A and B). Using a flathead screwdriver, tighten the HIDDEN CAMS (Item K) by turning them clockwise until the curved arrows are aligned with the top edge of the panels as shown in picture 2 below. If door is misaligned, loosen and adjust FLAT HEAD SCREWS (Item I) attached to HINGES (Item N). When door is properly aligned, re-tighten hinge screws.





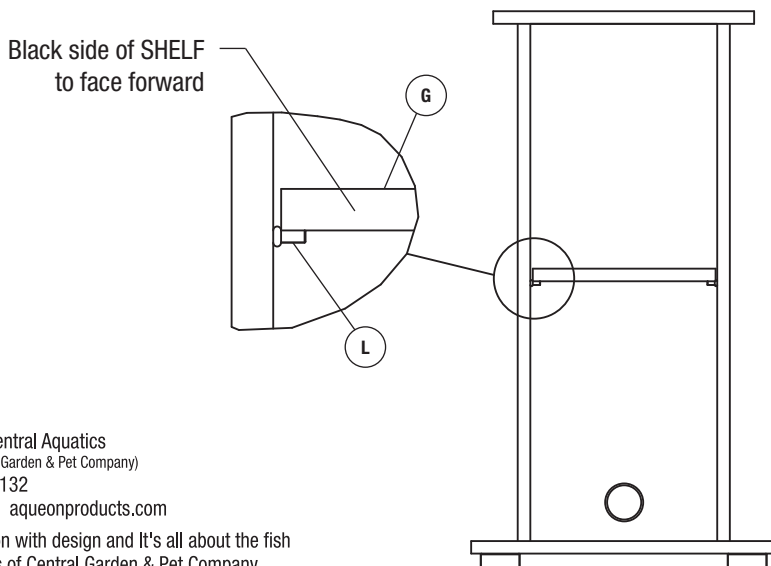
STEP 6

Carefully turn stand upside down.
Attach BOTTOM PANEL (Item F) to SIDE PANELS (Items A and B) with four FLAT HEAD SOCKET CAP SCREWS (Item H) using ALLEN WRENCH (Item P).
Press four FEET (Item Q) into BOTTOM PANEL (Item F).
Turn stand back over.



STEP 7

Insert SHELF (Item G) onto four SHELF PEGS (Item L).
(DOOR and HINGES have been removed from image for clarity.)



A product of Central Aquatics
(Division of Central Garden & Pet Company)
Franklin, WI 53132
888.255.4527 aqueonproducts.com

Aqueon, Aqueon with design and It's all about the fish
are trademarks of Central Garden & Pet Company.

©2014 Central Garden & Pet Company.

Made in China